



food warmers

MODELS: WPIM60

APPLICATIONS

- Displays and maintains food (pies, sausage rolls, pastries etc) at serving temperature

CAPACITY GUIDE

- Holds approximately 60 to 80 pies

STANDARD FEATURES

- Toughened glass & sliding doors to front & rear & toughened glass side panels
- Black powder-coated finish
- Removable stainless steel crumb tray
- Thermostat controls
- Illuminated front lightbox display
- Fully illuminated interior for improved product display
- Supplied with 4 tilting chrome wire racks
- Cleanable stainless steel element guard for safety & aesthetics
- Visible temperature gauge
- Humidity tray provided to maintain product quality
- Supplied with 10 amp plug and lead

SPECIFICATIONS

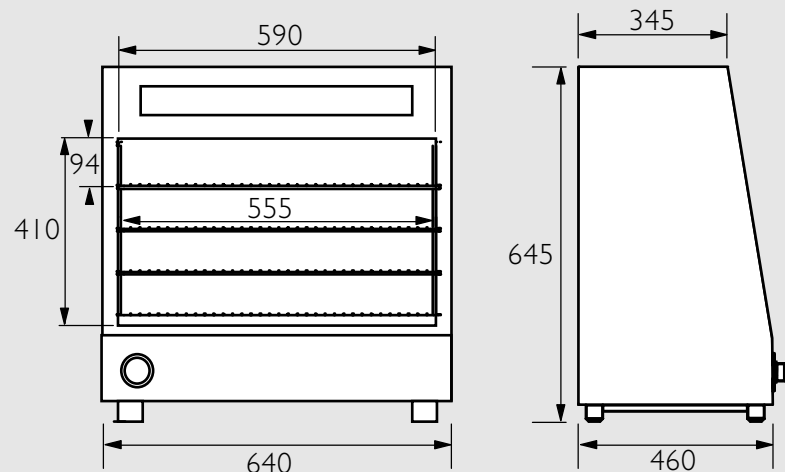
Kw 1.68 Amps 7		
Width 640	Depth 460	Height 645

Dealer:



Model shown WPIM60

WPIM60



⚡ Power cable located at back left hand side of unit

We reserve the right to alter specifications of products without notice

For details of your local dealer contact:

QLD, NT, WA, International ph 07 3344 2444 fax 07 3345 6403 email fse@stoddart.com.au	NSW, ACT ph 02 9817 7700 fax 02 9817 7800 email gladesville@stoddart.com.au	VIC, SA, TAS ph 03 9543 9922 fax 03 9543 9944 email melbourne@stoddart.com.au
---	---	---

Manufactured by: Tom Stoddart Pty Ltd, 215 Jackson Road Sunnybank Hills, Qld 4109 Australia