

# Drink Machine Advance<sup>®</sup>

Model: VM10199

## The Ultimate Blender For Every Program

From fruit smoothies to thick shakes, the Drink Machine Advance<sup>®</sup> is an essential tool for adding or expanding a blended beverage program.

With 6 optimized programs, automatic shut-off and pulse control, it delivers consistent and delicious drinks every time, without the need for an experienced operator.

## Features

- 6 optimised programs and automatic shut-off means you can turn it on, walk away and consistently blend beverages
- Pulse control quickly refreshes drinks for efficiency
- 0.9 litre Advance<sup>®</sup> Container creates faster, smoother pouring and has a longer blade life resulting in time and cost savings along with improved customer experience
- ~2 peak output HP advanced motor is designed to resist overheating when blending extra-thick ingredients resulting in cooler operation and enhanced reliability during peak hours of operation



VM10199 pictured



Perfectly blended smoothies.



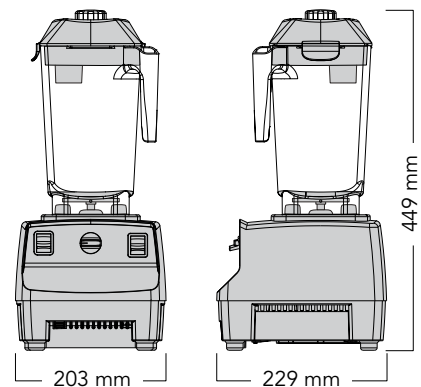
Unique shape and design for faster, smoother pouring.

## Specifications

Motor: ~2 peak output HP motor

Electrical: Standard single phase 10 Amp plug, 220-240 V, 50/60 Hz, 1000 – 1200 Watts (load dependent)

Includes: 0.9 litre high-impact, clear/stackable, Advance<sup>®</sup> container, complete with Advance<sup>®</sup> blade assembly and lid and base



All dimensions are nominal only.  
Covered by 3 years warranty (1 year parts and labour followed by 2 years parts only).  
Conditions apply. Refer to our Terms & Conditions of Trade.

Exclusive Distributor:

**ROBAND<sup>®</sup>**  
AUSTRALIA PTY LTD