



General Description:

The Culinaire® Vertical Hot Cupboard is a heavy-duty mobile cabinet designed for multi-functional banquet storage. It is ideal for holding covered plates and stacked or bulk food in gastronorm pans.

The Vertical Hot Cupboard is available in two heights. The full height unit is supplied with seven 2/1 GN sized racks and the half height unit is supplied with four 2/1 GN sized racks. Each rack will hold six 230mm plates

The Culinaire® Vertical Hot Cupboard is available as either a fan-forced or static element heated design.

For long-term food holding we recommend the Culinaire® CBC series.

Models:

Code: CH.VHCM.2.1.x.y

Code explanation:

CH	Culinaire Heated
VHCM	Vertical Hot Cupboard Mobile
2-1	2/1 GN Pans
x	FH = Full Height HH = Half Height
z	2D = 2 Doors
y	S = Static Heating F = Fan Forced Heating

e.g.: for specification and ordering

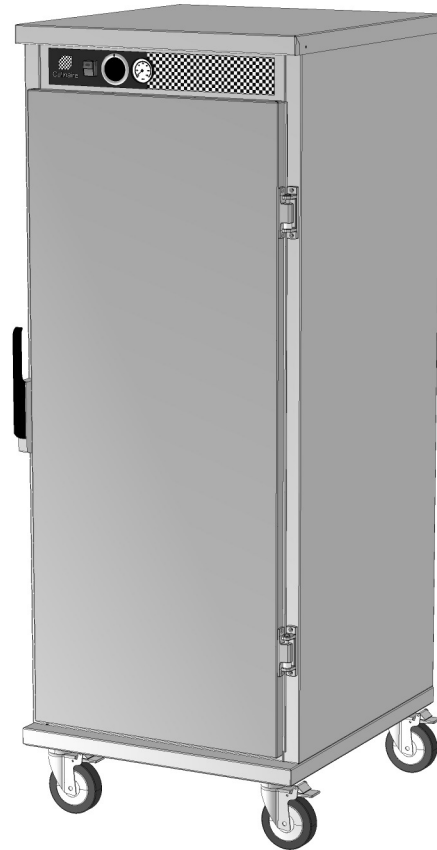
Culinaire: **CH.VHCM.2.1.FH.S**

Culinaire: **CH.VHCM.2.1.FH.2D.S**

Culinaire: **CH.VHCM.2.1.HH.S**



Half Height Model



Full Height Model

Features and Benefits:

- Easy-to-use and highly reliable mechanical temperature controls
- Sturdy 125mm easy-to-push lockable castors
- Door is fitted with easy-open handle and self-closing hinges
- Horizontal transport handle for effortless manoeuvrability of the cart
- Unique fully adjustable slides designed to prevent shelves collapsing during transport
- Supplied with a humidifier tray to minimise the drying out of food
- 304 grade stainless steel construction throughout for exceptional longevity – unlike units with corrodible steel frames

Due to continuous product research and development, the information contained herein is subject to change without notice

Specification:

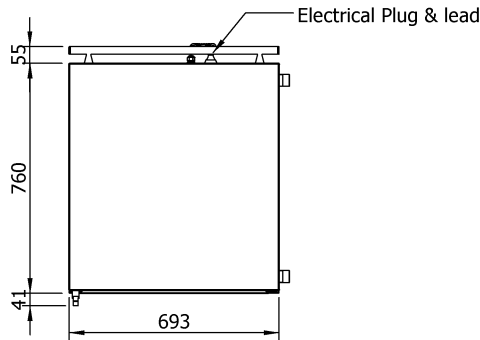
Construction:

- Double skinned construction insulated on all sides
- 304 grade 1.2mm stainless steel in No.4 satin finish

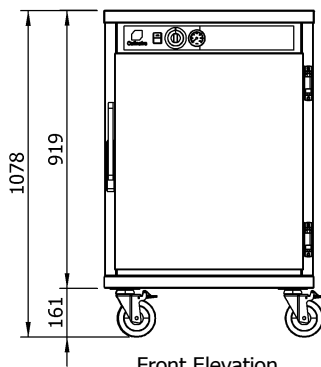
Controls:

- On/Off switch with indicator light
- Thermostatically controlled elements
- Dial thermometer

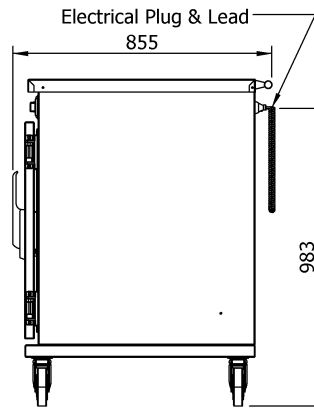
Product Details:



Plan View

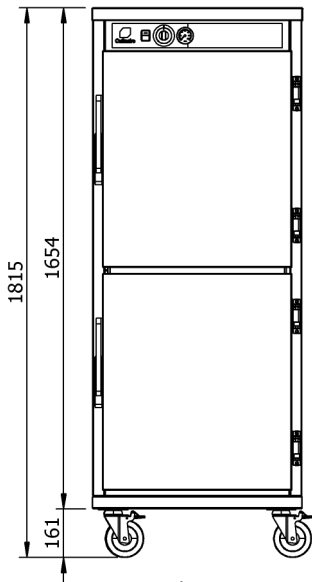


Front Elevation



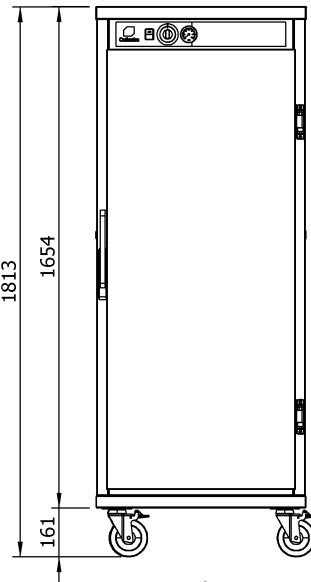
Side Elevation

Half Height Unit



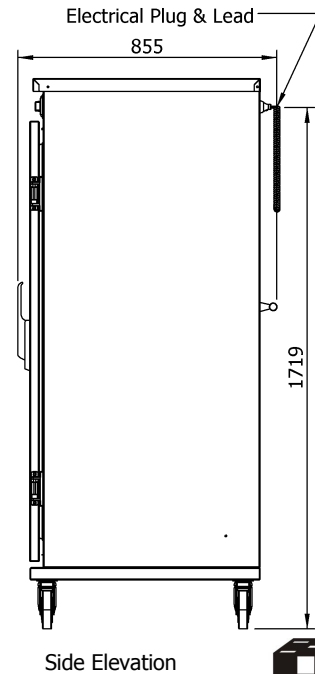
Front Elevation

2 Doors



Front Elevation

Full Height Unit



Side Elevation



Technical Data:

Model	Power	Packaged Size
CH.VHCM.2.1.FH.S	240v 1Ø 9.37A 2250w	890w x 1050d x 2010h
CH.VHCM.2.1.FH.2D.S	240v 1Ø 9.37A 2250w	890w x 1050d x 2010h
CH.VHCM.2.1.HH.S	240v 1Ø 6.25A 1500w	890w x 1050d x 1280h

Due to continuous product research and development, the information contained herein is subject to change without notice